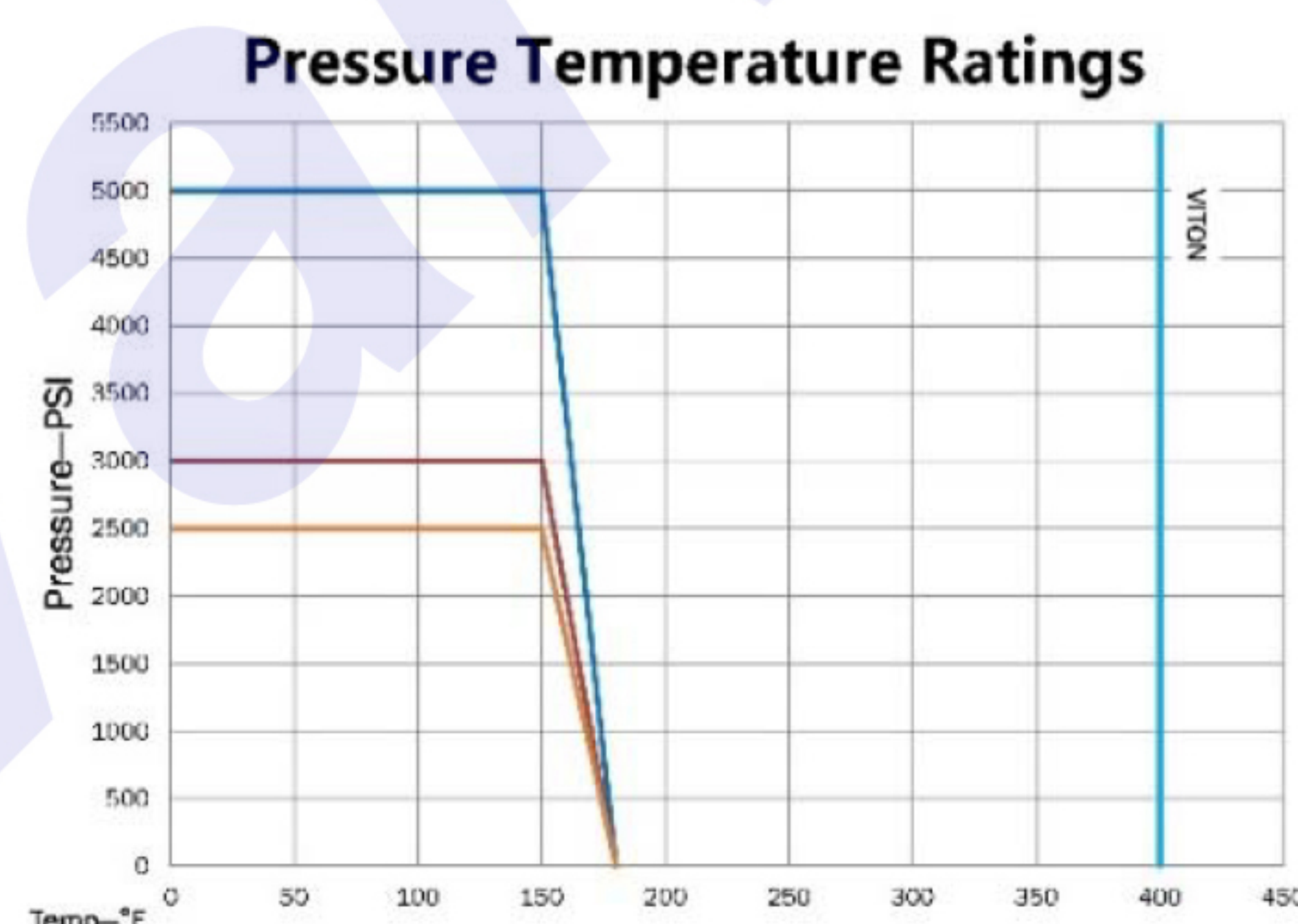
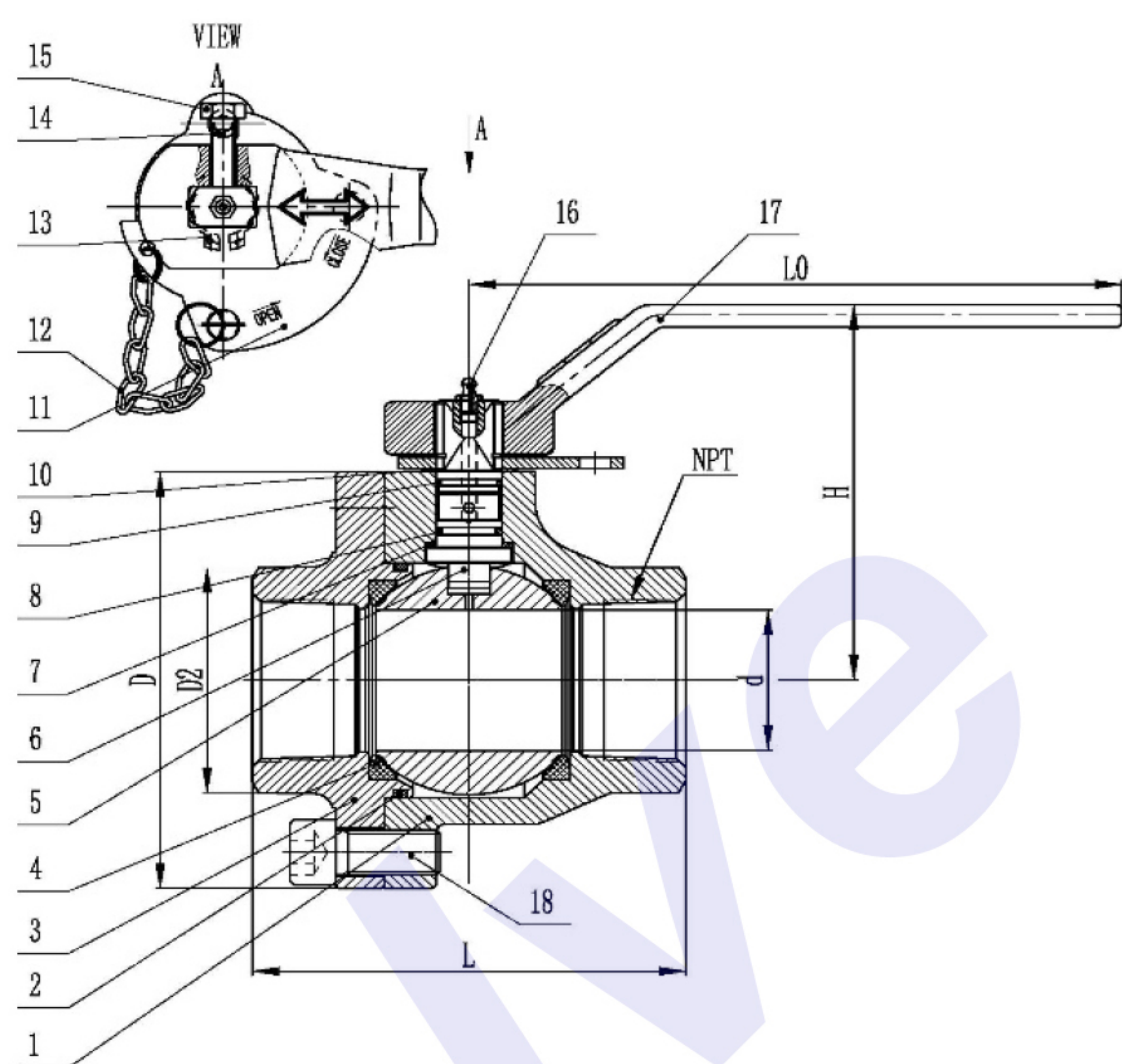


KBD-RP/FP SERIES



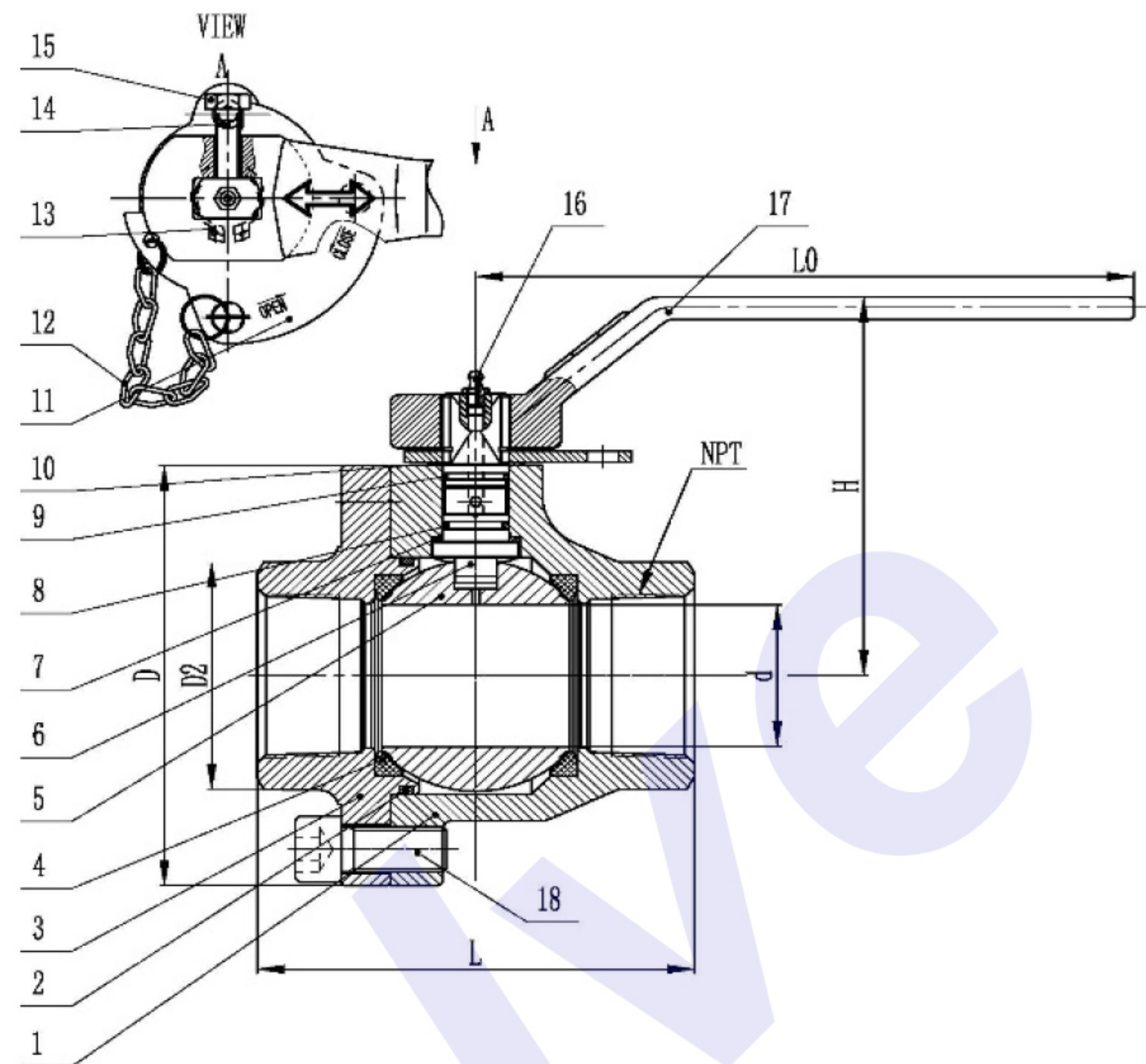
Product Description

This is a ball valve for oil field, including a ball valve body and a valve tube. The left and right sides of the ball valve body are equipped with valve tubes. The right side of the inner cavity of the ball valve body is equipped with a second slide rail. The valve rod runs through the ball valve body. A stable block is installed at the top of the valve rod, a handwheel is fixedly installed at the top of the stable block, and a limit device is installed in the inner cavity of the valve rod.

Structural Features

- Lever Operated, Threaded
- Floating Ball, 1000/2000 W.O.G.
- Blow-Out Proof Stem
- Fire Safe Design
- Rugged Locking Device
- Grease Fitting
- NACE MR-0175 Compliant
- Inspect and Test: API 598
- Nominal Pressure 2000
- Shell Test (by Water) 3000
- Shell Test (by Water) 2200
- Seal Test (by Air) 60 ~ 100
- NPT end connection conforms to ANSI B1.20.1, BS21, DN 259/2999
- Temperature Range -10°C (14°F) ~ 180°C (356°F)

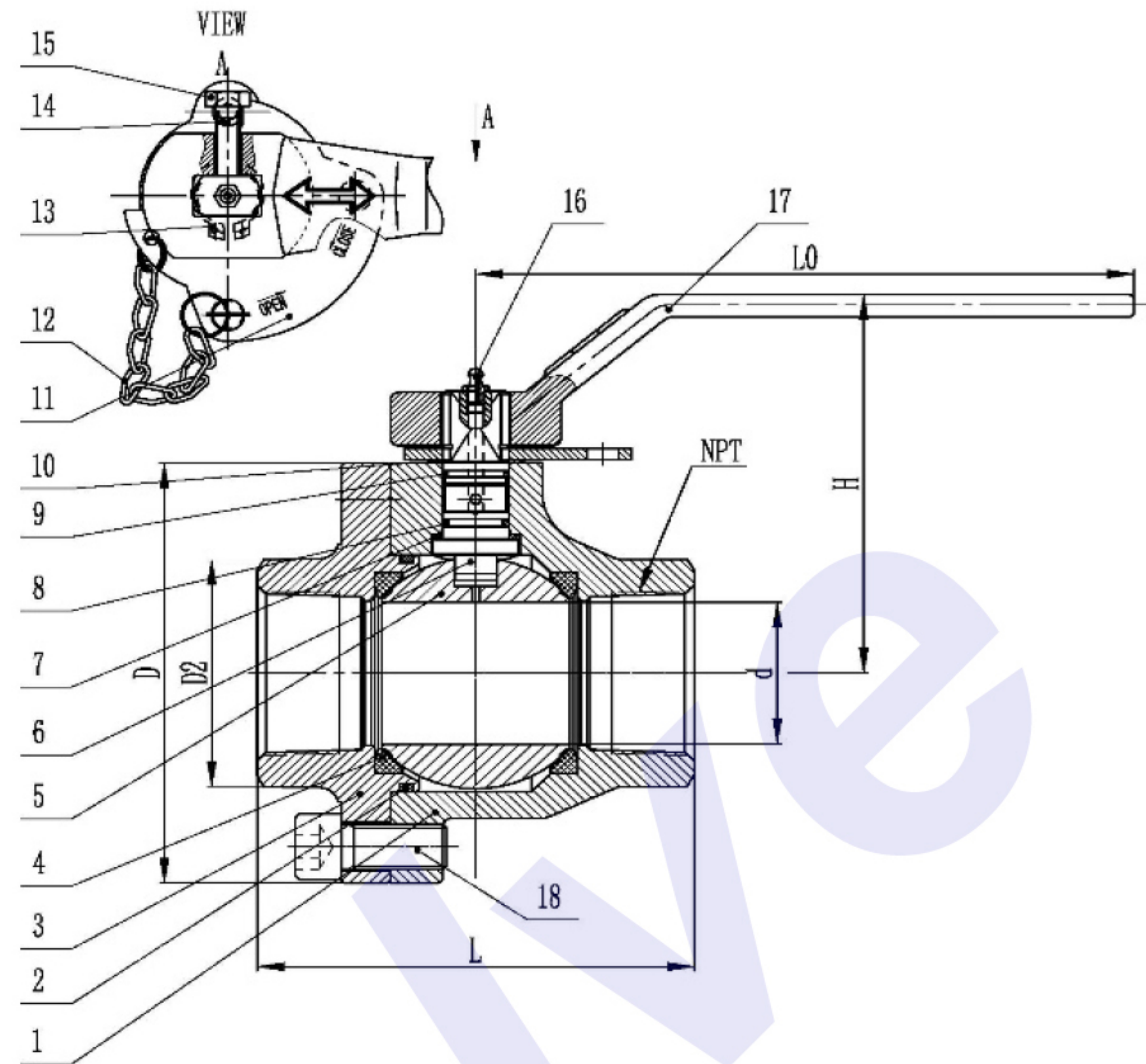
KBD-RP/FP SERIES



Materials of main parts

No	Part	Material
1	BODY	ASTM A395
2	BODY SEAL	VITON
3	BOONET	ASTM A395
4	SEATS	DELRIN
5	BALL	ASTM A276 420
6	STEM	ASTM A276 420
7	THRUST BEARING	PTFE
8	STEM SEAL	VITON
9	STEM SEAL	VITON
10	STEM BEARING	PTFE
11	STOP PLATE	CS+Ni
12	PIN WITH CHAIN	STAINLESS STEEL
13	RETAINER RING	SPRING STEEL
14	STOP PIN	SPRING STEEL
15	SCREW	CARBON STEEL
16	GREASE ZERK	CARBON STEEL
17	HANDLE	DUCTILE IRON

KBD-RP/FP SERIES



Dimensions(mm)

Size	Port	d	L	W	H
3/4"	FP	20	96	159	78
1"x3/4"	RP	20	96	159	78
1"	FP	25	102	159	81
1-1/2"	FP	38	140	210	144
2"x1-1/2"	RP	38	140	210	144
2"	FP	51	153	270	149
2-1/2"	FP	64	178	270	156
3"x2"	RP	51	185	270	149
3"	FP	76	222	380	179
4"x3"	RP	76	222	380	179
4"	FP	100	239	380	198