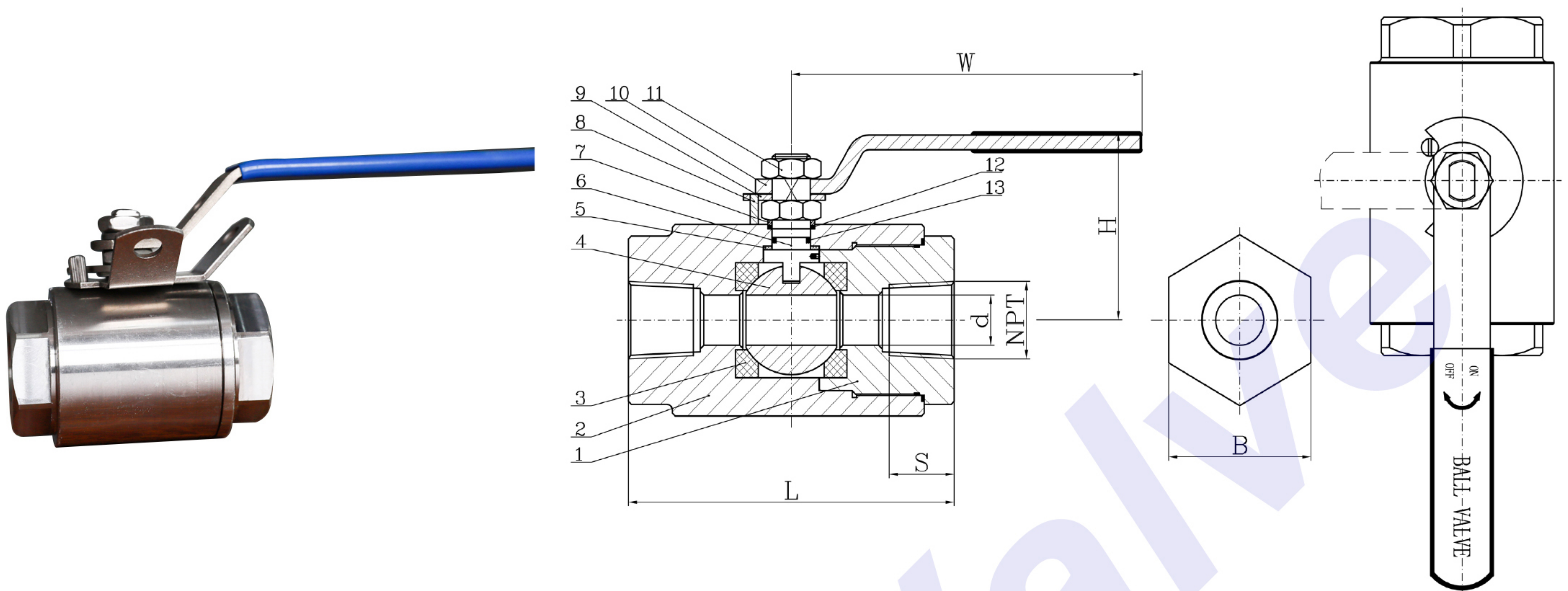


KB3F SERIES



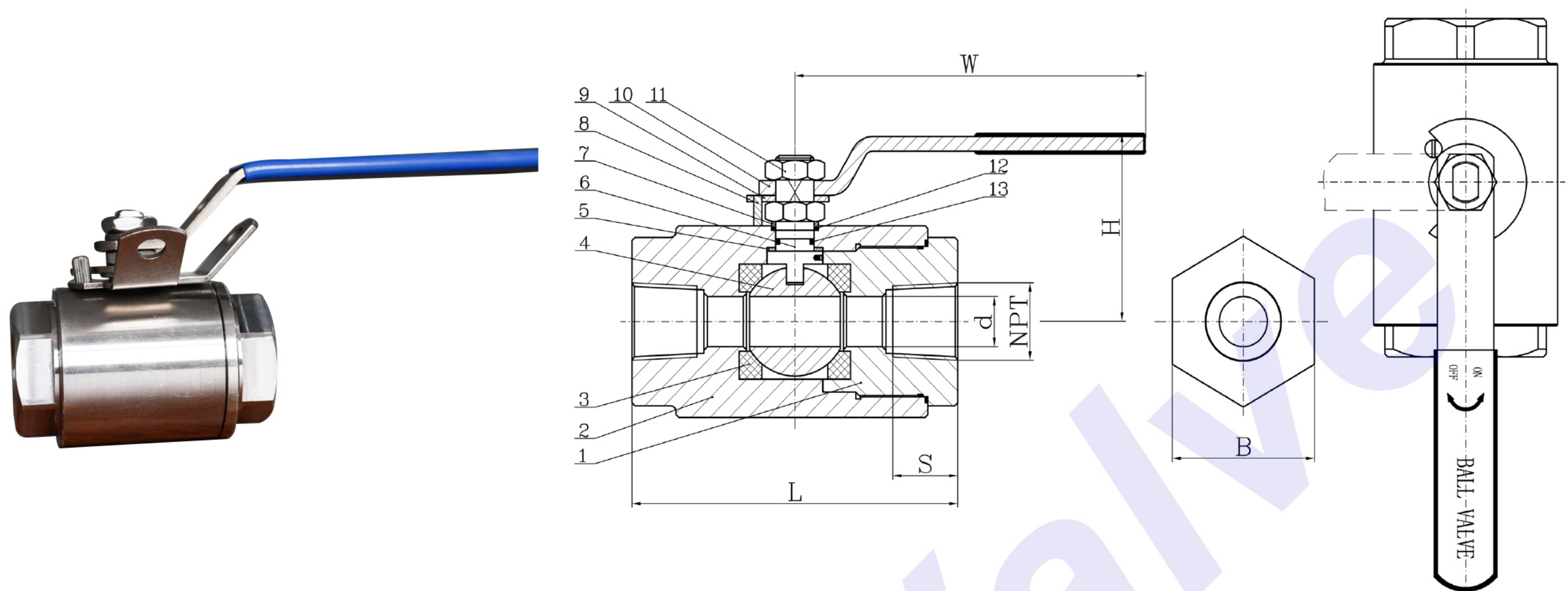
Product Description

The valve body of 3000psi internal thread ball valve is cast by silica gel process, with reasonable structure and beautiful shape. 3000psi internal thread ball valve seat adopts elastic sealing structure, with reliable sealing and easy opening and closing. The valve rod adopts a bottom mounted structure with inverted seal. When the valve chamber is abnormally pressurized, the valve rod will not be rushed out. Applicable to PN10 ~ 12.5mpa, working temperature $-29\sim 18\text{ }^{\circ}\text{C}$ (the sealing ring is reinforced polytetrafluoroethylene) or $-29\sim 300\text{ }^{\circ}\text{C}$ (the sealing ring is aligned polystyrene), 3000psi internal thread ball valve is used to cut off or connect the medium in the pipeline. Different materials are selected, which can be applied to water, steam, oil, nitric acid, acetic acid and other media respectively.

Structural Features

- 2-Piece Threaded, Full Port $\frac{1}{4}$ " – 2"
- Seal weld construction
- ASTM A105N
- Rating of 3000 CWP
- NACE MR-01-75 complaint
- Tested to API 598
- Locking device handle
- NPT Threaded Ends comply to ANSI B1.20.1
- Blowout proof Ball Valve stem
- Anti-static Ball Valve device
- Mounting pad

KB3F SERIES



Materials of main parts

No	Part	Material
1	BODY	ASTM A105N
2	SEAT	DELRIN, PEEK
3	BALL	SS316
4	WASHER	SS316
5	BONNET	ASTM A105N
6	GASKET	SS304
7	WASHER	GRAPHITE
8	STEM	SS316
9	PACKING	RPTFE
10	GLAND	SS304
11	HANDLE	SS201+PVC
12	NUT	A2-70

Dimensions(mm)

Size	Port	Pressure	d	L	H	W	S
1/4"	FP	3000PSI	9.5	68	53	130	16.3
3/8"	FP	3000PSI	9.5	68	53	130	16.3
1/2"	FP	3000PSI	13	73	56	130	16.3
3/4"	FP	3000PSI	17	97	70	160	16.9
1"	FP	3000PSI	23	105	80	220	17.3
1-1/4"	FP	3000PSI	30	118	90	250	18.4
1-1/2"	FP	3000PSI	38	133	100	250	18.4
2"	FP	3000PSI	48	140	110	290	19.2