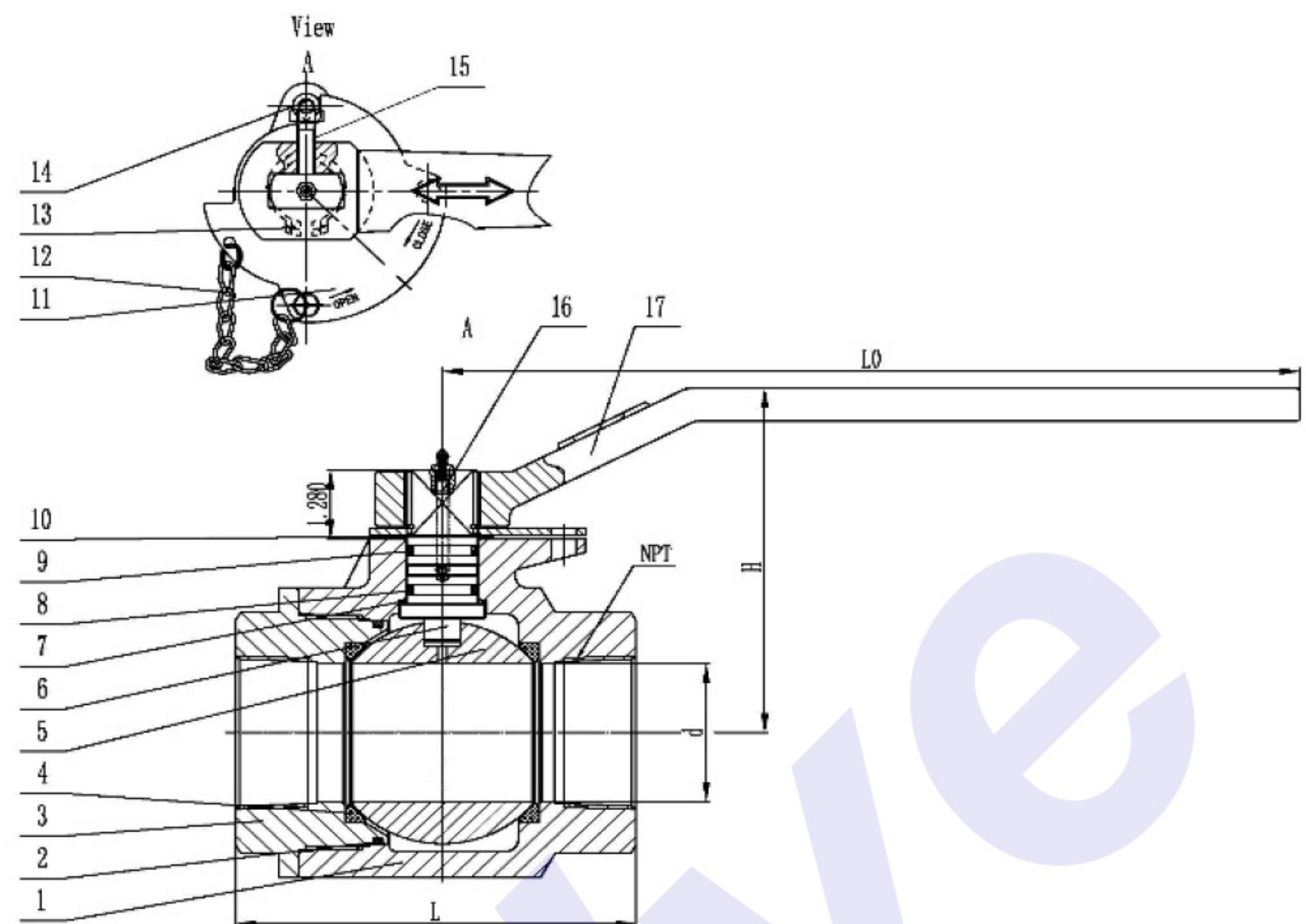
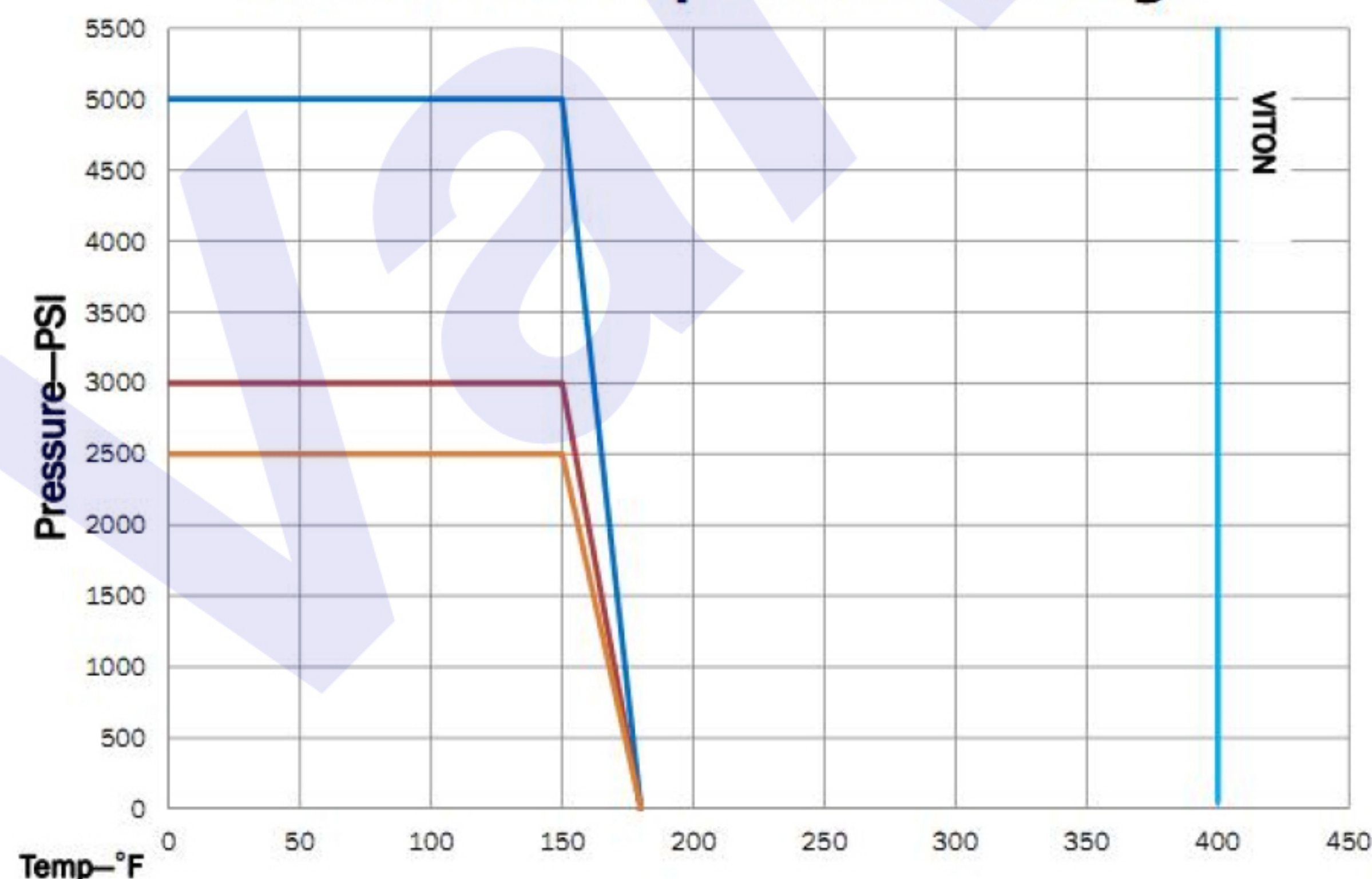


KC-RP SERIES



Pressure Temperature Ratings



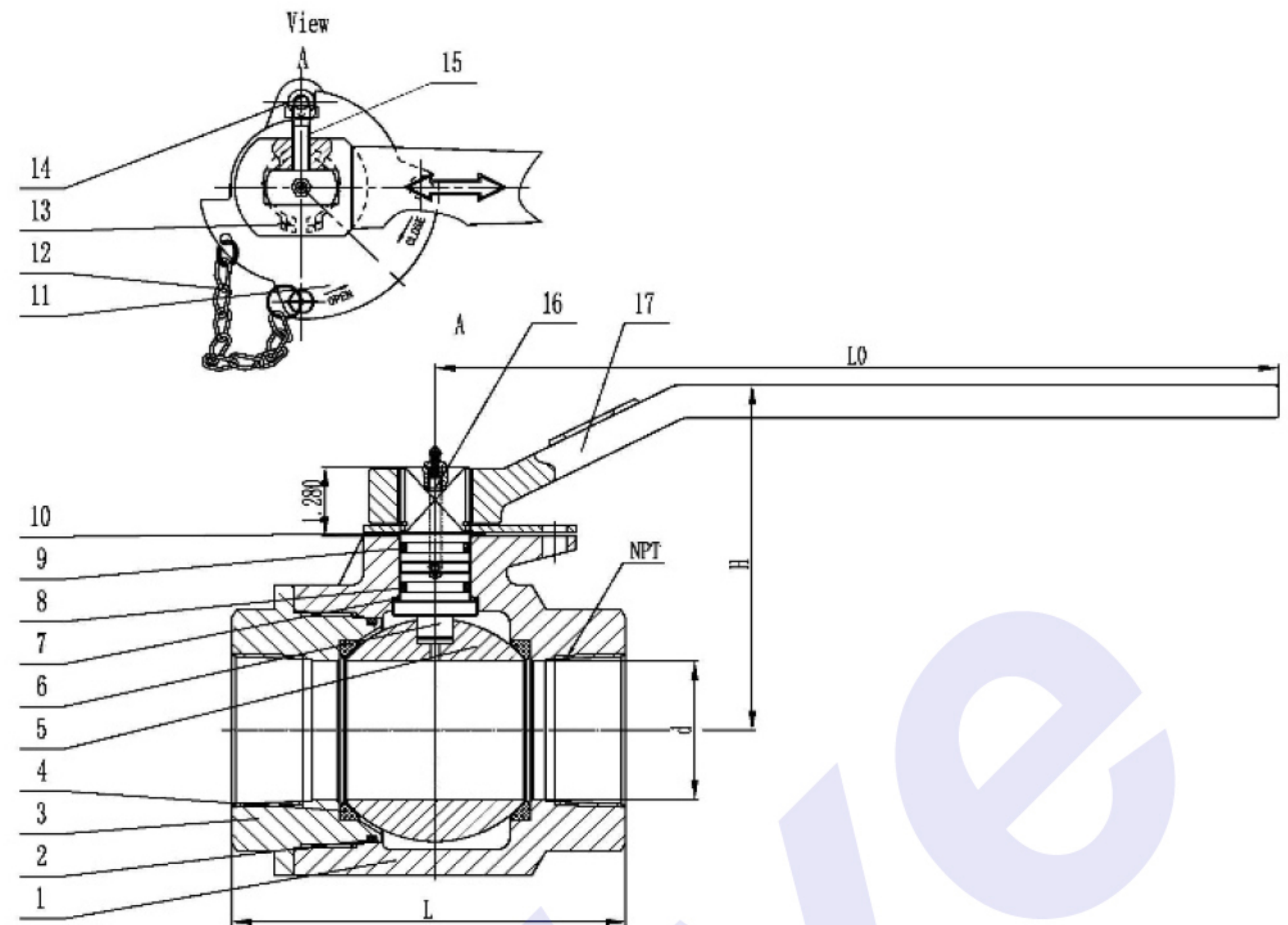
Product Description

This is a ball valve for oil field, including a ball valve body and a valve tube. The left and right sides of the ball valve body are equipped with valve tubes. The right side of the inner cavity of the ball valve body is equipped with a second slide rail. The valve rod runs through the ball valve body. A stable block is installed at the top of the valve rod, a handwheel is fixedly installed at the top of the stable block, and a limit device is installed in the inner cavity of the valve rod.

Structural Features

- Lever Operated, Threaded
- Floating Ball, 3000 W.O.G. Reduce Port
- Blow-Out Proof Stem
- Fire Safe Design
- Rugged Locking Device
- Grease Fitting
- NACE MR-0175 Compliant
- Inspect and Test: API 598
- Nominal Pressure 3000
- Shell Test (by Water) 4500
- Shell Test (by Water) 3300
- Seal Test (by Air) 60 ~ 100
- NPT end connection conforms to ANSI B1.20.1, BS21, DN 259/2999
- Temperature Range -10°C (14°F) ~ 180°C (356°F)

KC-RP SERIES



Materials of main parts

No	Part	Material
1	BODY	ASTM A216 WCB
2	BODY SEAL	VITON
3	BOONET	ASTM A216 WCB
4	SEATS	DELRIN
5	BALL	SS420, SS304, SS316
6	STEM	ASTM A276 420
7	THRUST BEARING	PTFE
8	STEM SEAL	VITON
9	STEM SEAL	VITON
10	STEM BEARING	PTFE
11	STOP PLATE	CS+Ni
12	PIN WITH CHAIN	STAINLESS STEEL
13	RETAINER RING	SPRING STEEL
14	STOP PIN	SPRING STEEL
15	HEXAGON BOLTS	CARBON STEEL
16	GREASE ZERK	CARBON STEEL
17	HANDLE	DUCTILE IRON

Dimensions(in)

Size	Port	Pressure	L	H	d	NPT	Lo	Weight (Lbs)	Torque (in.Lb)
2"	RP	3000PSI	5.51	5.07	1.5	11.5	10	12.15	1750
2"	RP	5000PSI	5.51	5.07	1.5	11.5	10	14.20	2700
3"	RP	3000PSI	8.24	2	2	8	10	23.02	2350
4"	RP	3000PSI	8.72	3	3	8	20	42.90	3660