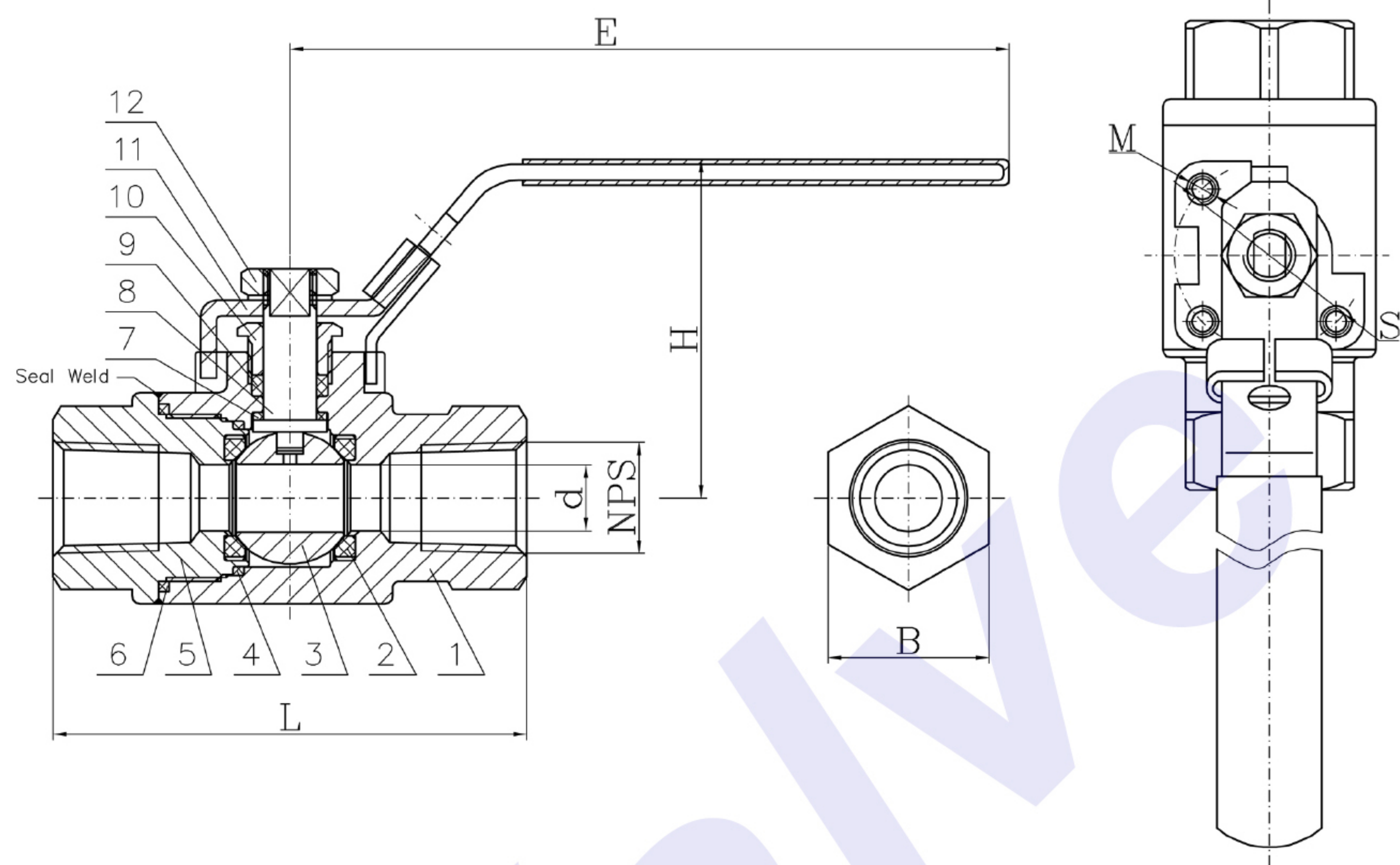


### KB6C SERIES



SEAL WELDED



#### Product Description

The valve body of 6000psi internal thread ball valve is cast by silica gel process, with reasonable structure and beautiful shape. 6000psi internal thread ball valve seat adopts elastic sealing structure, with reliable sealing and easy opening and closing. The valve rod adopts a bottom mounted structure with inverted seal. When the valve chamber is abnormally pressurized, the valve rod will not be rushed out. Applicable to PN10 ~ 12.5mpa, working temperature  $-29\sim 18\text{ }^{\circ}\text{C}$  (the sealing ring is reinforced polytetrafluoroethylene) or  $-29\sim 300\text{ }^{\circ}\text{C}$  (the sealing ring is aligned polystyrene), 6000psi internal thread ball valve is used to cut off or connect the medium in the pipeline. Different materials are selected, which can be applied to water, steam, oil, nitric acid, acetic acid and other media respectively.

#### Structural Features

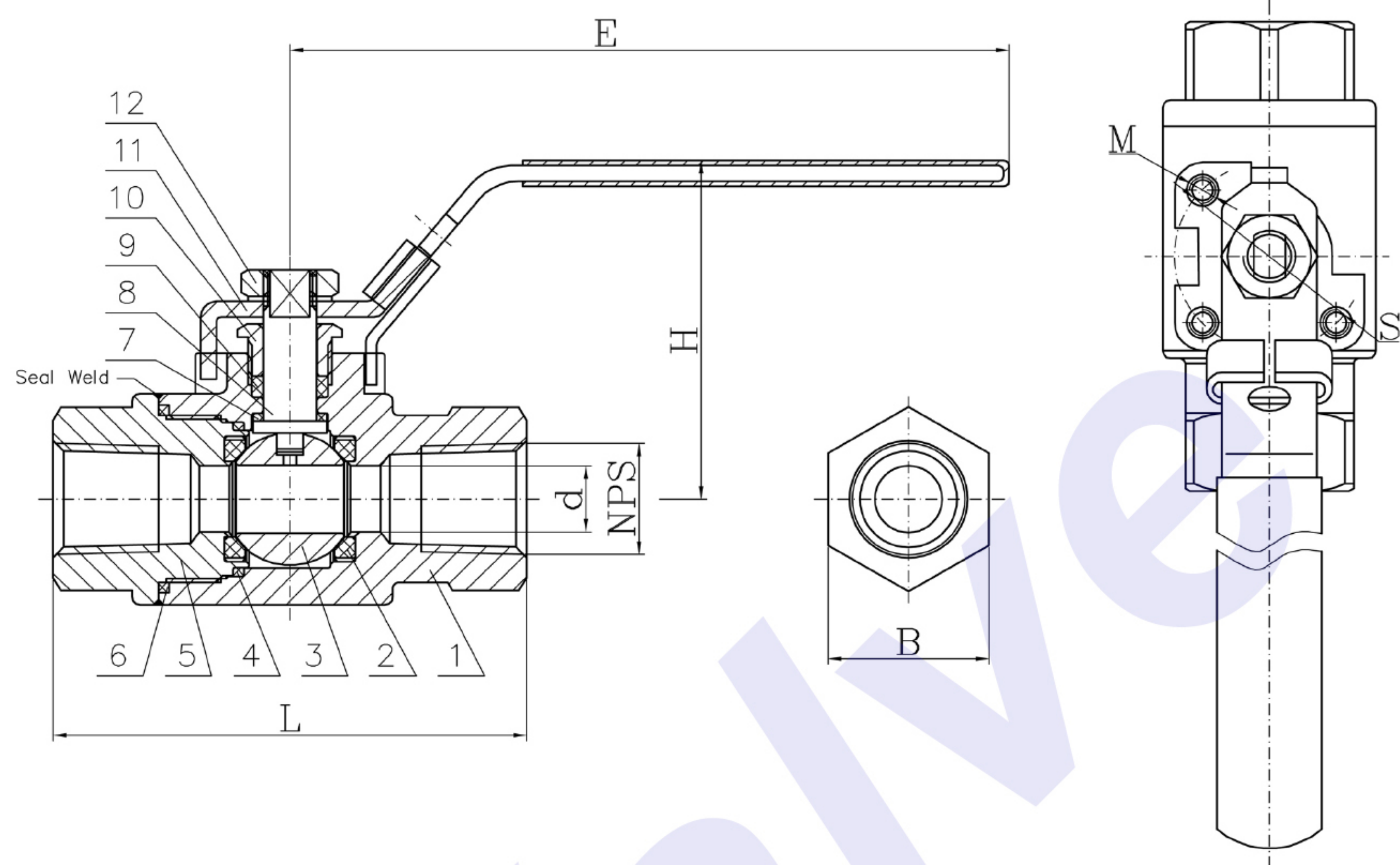
Stainless Steel High Pressure Ball Valve - 6,000 PSI

- 2-Piece Threaded, Full Port  $\frac{1}{4}$ " –  $1\frac{1}{2}$ ".
- 2" Reduced Port.
- Seal weld construction Ball Valve
- ASTM A216 WCB;
- Rating of 6000 CWP
- NACE MR-01-75 compliant
- Tested as per API 598
- Locking device handle
- Blowout proof Ball Valve stem
- Anti-static Ball Valve device
- Mounting pad.

### KB6C SERIES



SEAL WELDED



#### Materials of main parts

No	Part	Material
1	BODY	ASTM A216 WCB
2	SEAT	PEEK
3	BALL	SS316
4	WASHER	SS316
5	BONNET	ASTM A216 WCB
6	GASKET	SS304
7	WASHER	GRAPHITE
8	STEM	SS316
9	PACKING	RPTFE
10	GLAND	SS304
11	HANDLE	SS201+PVC
12	NUT	A2-70

#### Dimensions(mm)

Size	Port	Pressure	L
1/4"	FP	6000PSI	80
3/8"	FP	6000PSI	80
1/2"	FP	6000PSI	102
3/4"	FP	6000PSI	108
1"	FP	6000PSI	121
1-1/4"	FP	6000PSI	121
1-1/2"	FP	6000PSI	132
2"	RP	6000PSI	156