

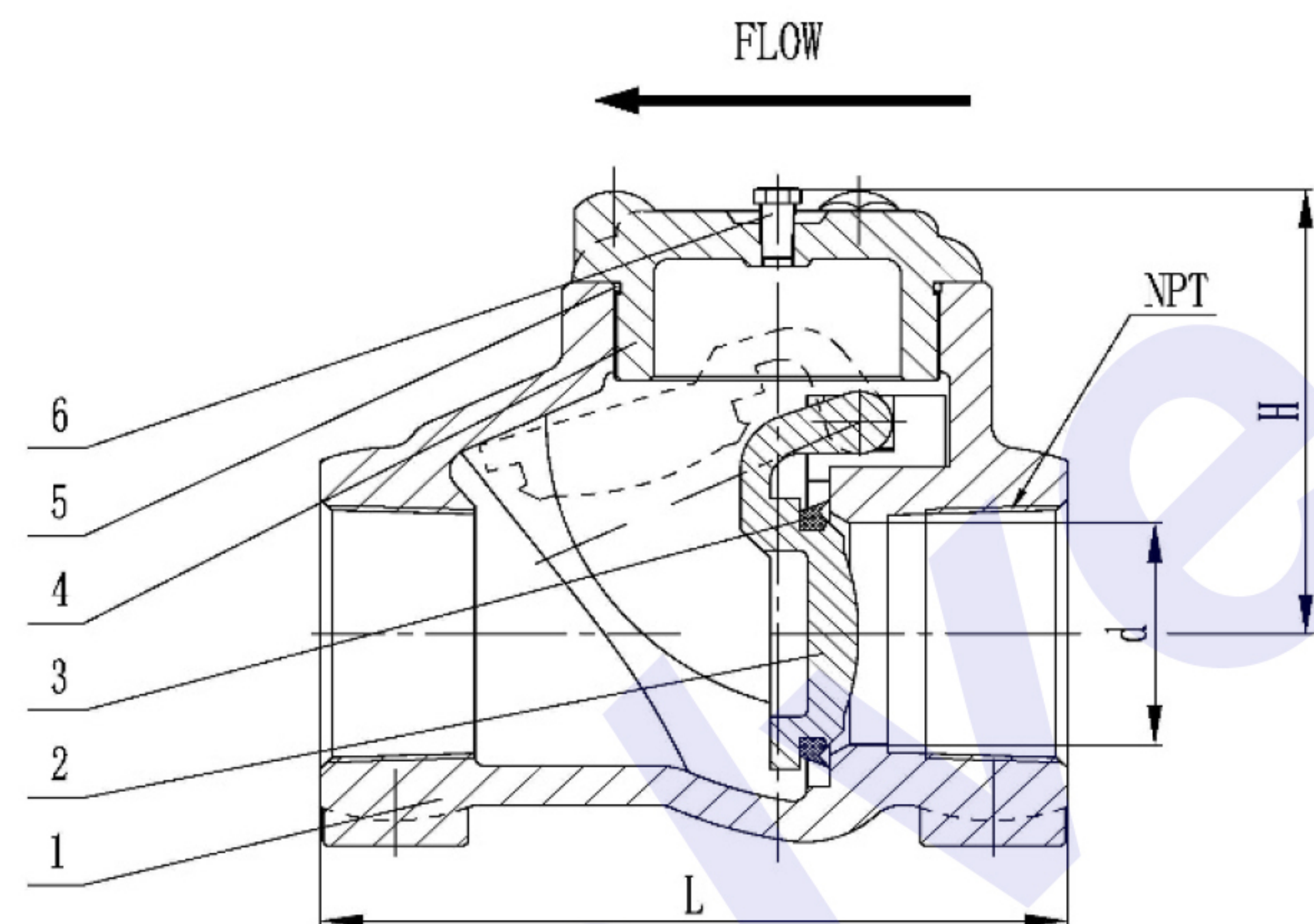
KKAD SERIES



Long
2000Psi



2000Psi



Product description

The Oil Field Check Valve is an ideal choice for oil & gas production lines where back flow is a concern. The swing check offers simplicity and is easily repairable with top entry to the valve internals. The function of the check valve is to prevent the backflow of medium in the pipeline. The check valve is an automatic valve, and the opening and closing parts open or close automatically by the force of the flowing medium. The check valve is only used on the pipeline with one-way flow of medium to prevent the backflow of medium and prevent accidents. Applicable medium: water, oil, steam, acid medium, etc.

Technical parameter

- » Ductile Iron Swing Check Valves
- » 1"to 3"Size Range
- » Ductile Iron: 300 to 2000WOG Pressure Range
- » Full Opening
- » Threaded ends to ANSI B1.20.1(NPT)

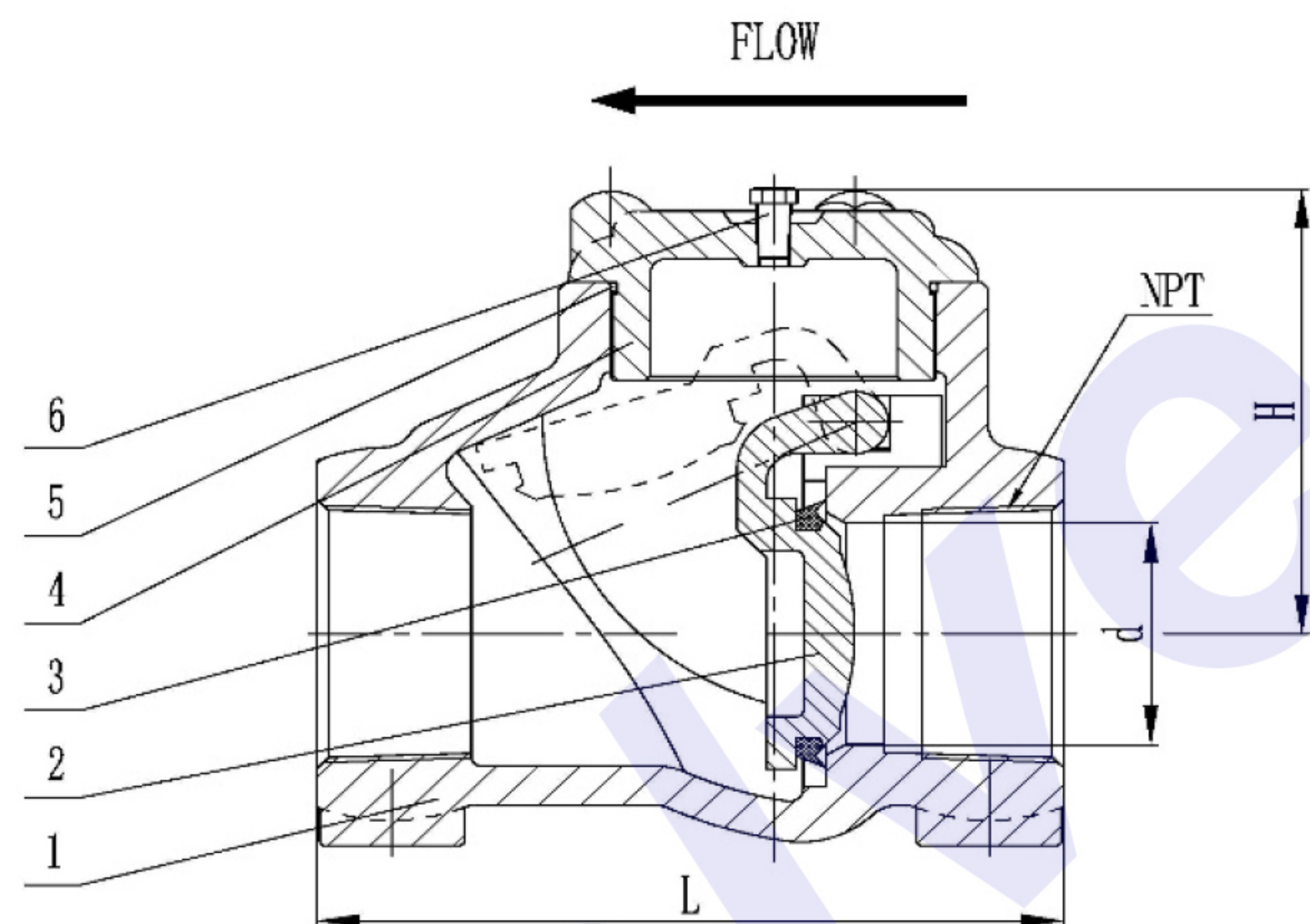
KKAD SERIES



Long
2000Psi



2000Psi



Main parts and materials

No.	Part Name	Material
1	Body	ASTM A395
2	Disc	ASTM A351 CF8
3	Seat	VITON
4	Bonnet	ASTM A395
5	Gasket	VITON
6	Plug	ASTM A105

Main dimensions (in)

Size	Port	End	Pressure	L	H	d	NPT	Weight(lbs)
1"	FB	FNPT	300~2000	4.72	3.28	1.00	11.5NPT	5.86
2"	FB	FNPT	300~2000	6.30	4.09	2.00	11.5NPT	12.13
2"	FB	FNPT	300~2000	7.25	4.09	2.00	11.5NPT	15.34
2-1/2"	FB	FNPT	300~2000	8.00	4.90	2.52	8NPT	19.82
3"	FB	FNPT	300~2000	8.25	5.43	3.00	8NPT	22.49
4"	FB	FNPT	300~1000	10.00	6.26	3.94	8NPT	35.80
4"	FB	FNPT	300~2000	10.00	7.80	3.98	8NPT	57.76