

KKBD/KKBC/KKBS SERIES



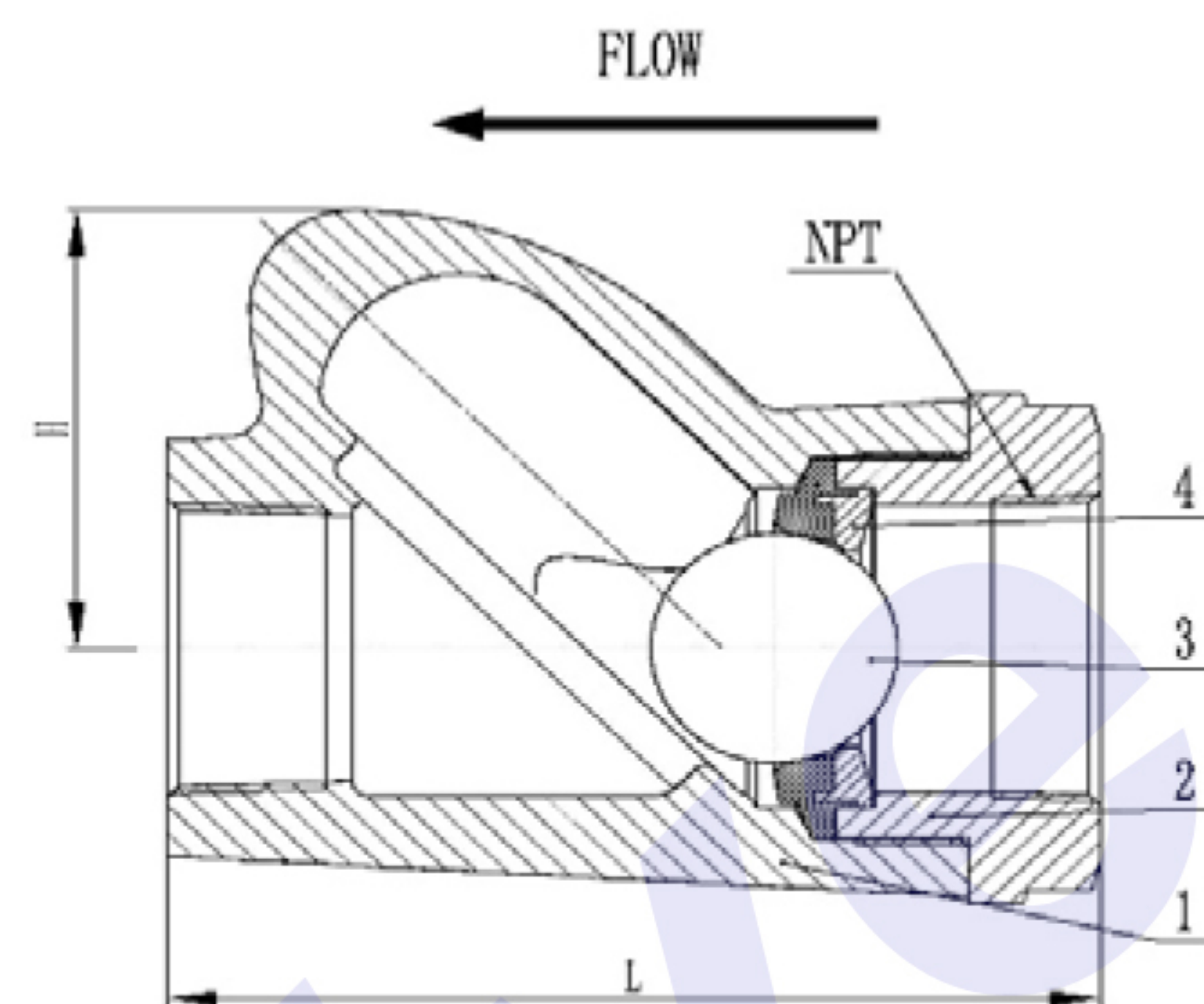
Stainless steel



Carbon steel



Ductile Iron



Product description

The Oil Field Check Valve is an ideal choice for oil & gas production lines where back flow is a concern. The swing check offers simplicity and is easily repairable with top entry to the valve internals. The function of the check valve is to prevent the backflow of medium in the pipeline. The check valve is an automatic valve, and the opening and closing parts open or close automatically by the force of the flowing medium. The check valve is only used on the pipeline with one-way flow of medium to prevent the backflow of medium and prevent accidents. Applicable medium: water, oil, steam, acid medium, etc.

Technical parameter

- » Ductile Iron/Carbon steel/Stainless steel Check Valves
- » 1"to 2"Size Range
- » Ductile Iron: 1000 to 2000WOG Pressure Range,
- » Carbon Steel: 2000 to 5000 WOG Pressure Range
- » Viton Seats
- » Threaded ends to ANSI B1.20.1(NPT)
- » NACE MR0175

KKBD/KKBC/KKBS SERIES



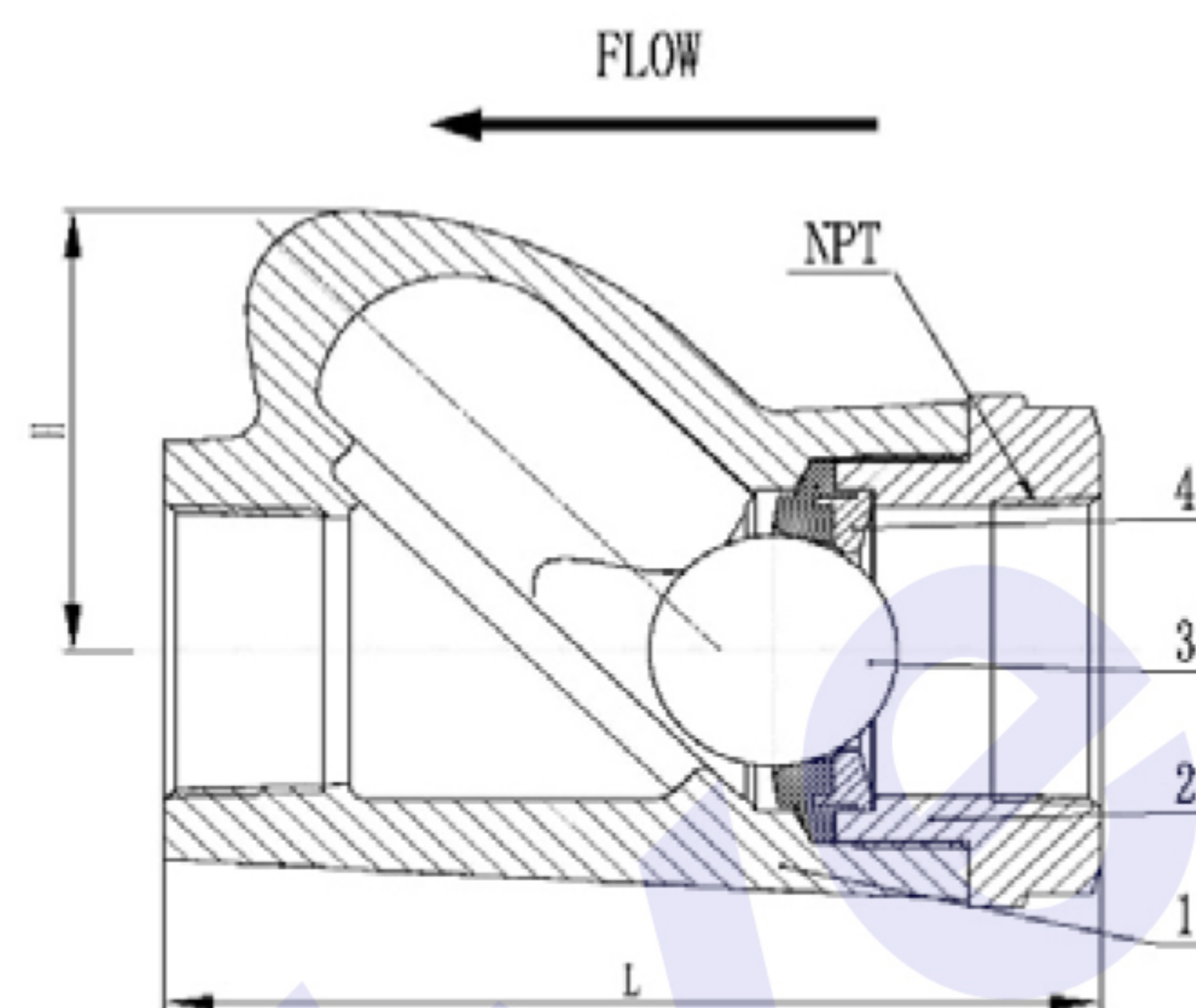
Stainless steel



Carbon steel



Ductile Iron



Main parts and materials

No.	Part Name	Material	Material	Material
1	Body	ASTM A395	A216 WCB	ASTM A351 CF8M
2	ADAPTER	ASTM A395	A216 WCB	ASTM A351 CF8M
3	BALL	SS316	SS316	SS316
4	SEAT	VITON	VITON	VITON

Main dimensions (in)

Size	End	Pressure	L	H	Weight(lbs)
1"	FNPT	1000	4.49	2.06	3.75
1"	FNPT	1500	4.49	2.06	3.75
1"	FNPT	2000	4.49	2.06	3.75
2"	FNPT	1000	6.62	3.37	11.91
2"	FNPT	1500	6.62	3.37	11.91
2"	FNPT	2000	6.62	3.37	11.91
1"	FNPT	2000	4.49	2.06	3.86
1"	FNPT	3000	4.49	2.06	3.86
1"	FNPT	5000	4.49	2.06	3.86
2"	FNPT	2000	6.62	3.37	12.46
2"	FNPT	3000	6.62	3.37	12.46
2"	FNPT	5000	6.62	3.37	12.46
1"	FNPT	2000	4.49	2.06	3.97
1"	FNPT	3000	4.49	2.06	3.97
1"	FNPT	5000	4.49	2.06	3.97
2"	FNPT	2000	6.62	3.37	12.57
2"	FNPT	3000	6.62	3.37	12.57
2"	FNPT	5000	6.62	3.37	12.57